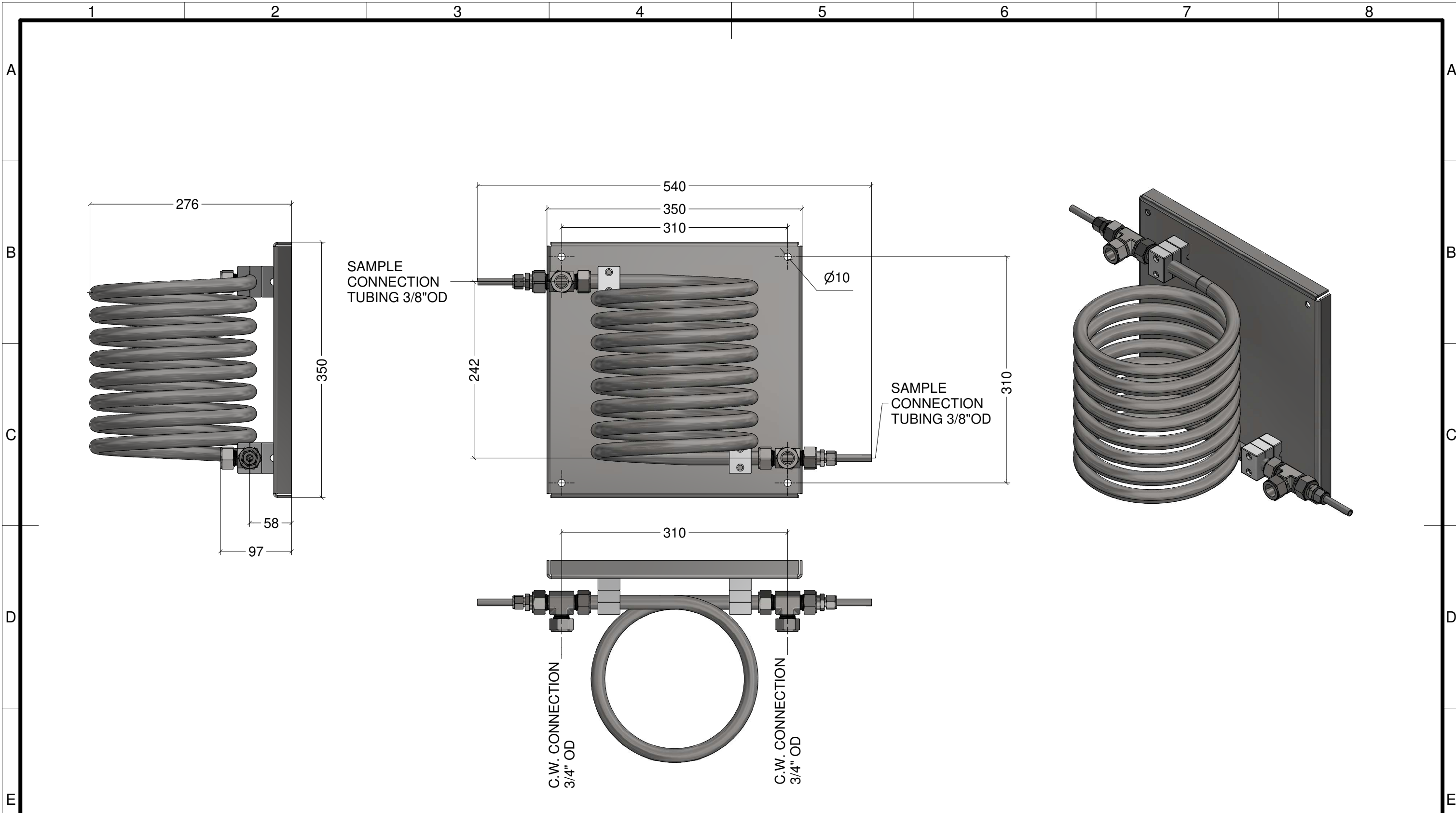


CLIENT:	--	CONTRACTOR	manvia a member of JCT GROUP		
DRAWING N°:	DW-TIT-SERr00	ENGINEERING SUPERVISION			

PROJECT:	Tube in Tube Coolers			ORIGINAL EDITION	FORMAT	SCALE
	DRAWINGS TIT-4			DRAW	A3	1/4
				CHECKED		
TITLE	DRAWINGS TIT-4			APPROVED	SHEET N°	SHEET
					3	1

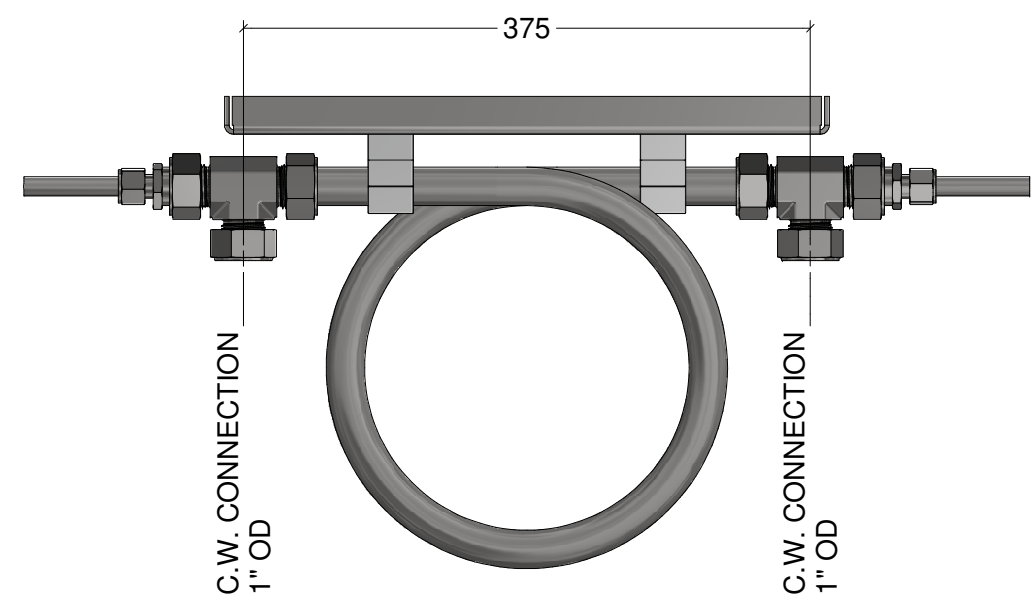
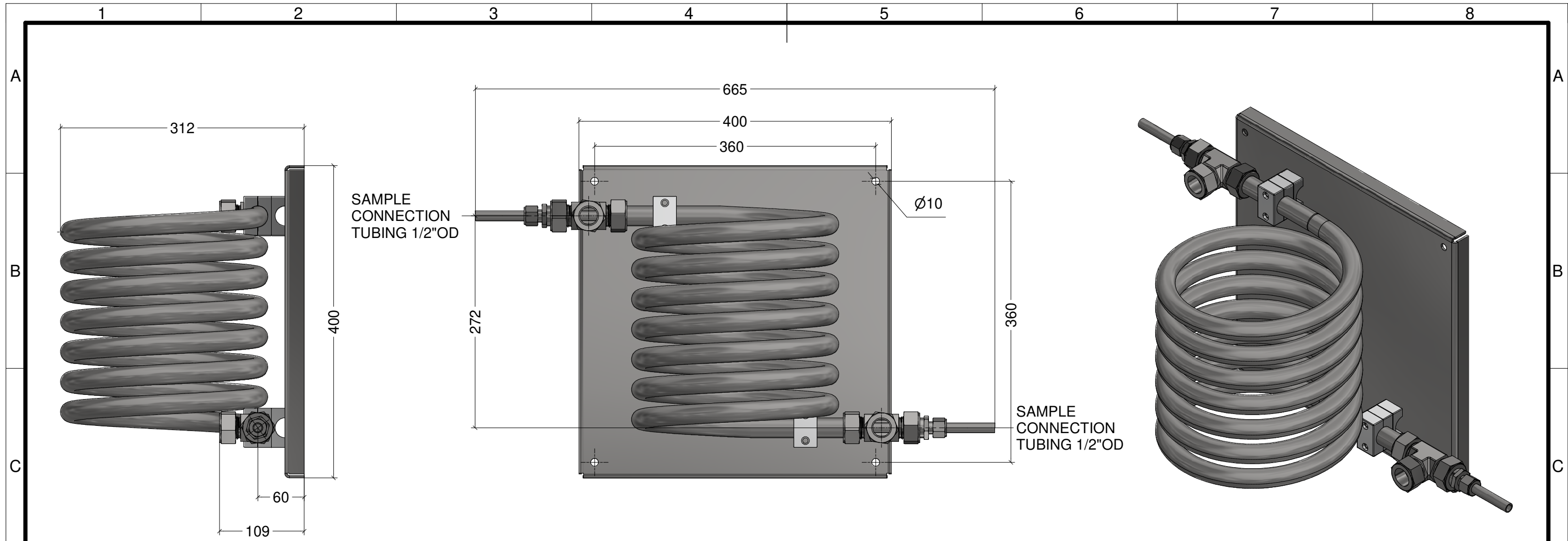
						FOR INFORMATION	<input checked="" type="checkbox"/>
						FOR APPROVAL	<input type="checkbox"/>
						FOR CONSTRUCTION	<input type="checkbox"/>
						AS BUILT	<input type="checkbox"/>
0	28/03/2023	INITIAL ISSUE	DVC	IFA	JMDG		
REV.	DATE	DESCRIPTION	DRAW	CHECKED	APPROVAL		



CLIENT:	--	CONTRACTOR	manvia a member of JCT GROUP	
DRAWING N°:	DW-TIT-SERr00	ENGINEERING SUPERVISION		

						FOR INFORMATION	<input checked="" type="checkbox"/>
						FOR APPROVAL	<input type="checkbox"/>
						FOR CONSTRUCTION	<input type="checkbox"/>
						AS BUILT	<input type="checkbox"/>
0	28/03/2023	INITIAL ISSUE	DVC	IFA	JMDG		
REV.	DATE	DESCRIPTION	DRAW	CHECKED	APPROVAL		

PROYECT:	Tube in Tube Coolers	ORIGINAL EDITION	FORMAT	SCALE
TITLE	DRAWINGS TIT-6	DRAW	A3	1/5
		CHECKED		
		APPROVED		
		SHEET N°	SHEET	
		3	2	



CLIENT:	--	CONTRACTOR	manvia a member of JCT GROUP	
DRAWING N°:	DW-TIT-SERr00	ENGINEERING SUPERVISION		

						FOR INFORMATION	<input checked="" type="checkbox"/>
						FOR APPROVAL	<input type="checkbox"/>
						FOR CONSTRUCTION	<input type="checkbox"/>
						AS BUILT	<input type="checkbox"/>
0	28/03/2023	INITIAL ISSUE	DVC	IFA	JMDG		
REV.	DATE	DESCRIPTION	DRAW	CHECKED	APPROVAL		

PROYECT:	Tube in Tube Coolers	ORIGINAL EDITION	FORMAT	SCALE
TITLE	DRAWINGS TIT-8	DRAW	A3	1/5
		CHECKED		
		APPROVED		
		SHEET N°	SHEET	
		3	3	