



DESCRIPTION

The High Pressure Reducer valve is designed for high pressure (above 35 barg / 507psig) boiler sampling lines, inlet pressure up to 350 barg (5076 psig) and outlet pressure totally adjustable.

This type of pressure reducers are recommended by ASME-PTC 19.11

APPLICATIONS

- Steam & Water Analysis Systems.
- Boiler water Blowdown systems.
- Grab sampling systems.

FEATURES

- Rod-In-Tube Design.
- Designed for High Pressure up to 350 (5076 psig) barg.
- Design Temperature: 150°C (302 °F).
- Outlet pressure 1 to 20 barg. (14,5 to 290 psig) Adj.
- Higher Flow rate.

SPECIFICATIONS

Type:	Rod-In-Tube
Body material:	Stainless Steel 316
Tapered Rod Material & wetted parts:	Stainless Steel 316
Inlet pressure:	350 barg (5076 psig)
Outlet Pressure:	1 to 20 barg (14,5 to 290 psig)
Operating Temperature:	150°C (302 °F)
Sample flow rate:	150 to 4000 c.c./min.
Setting:	Externally Adjustable by rotating Handle
End connections:	1/8" NPT f
Weight:	1,7 Kgs (3,7lb)

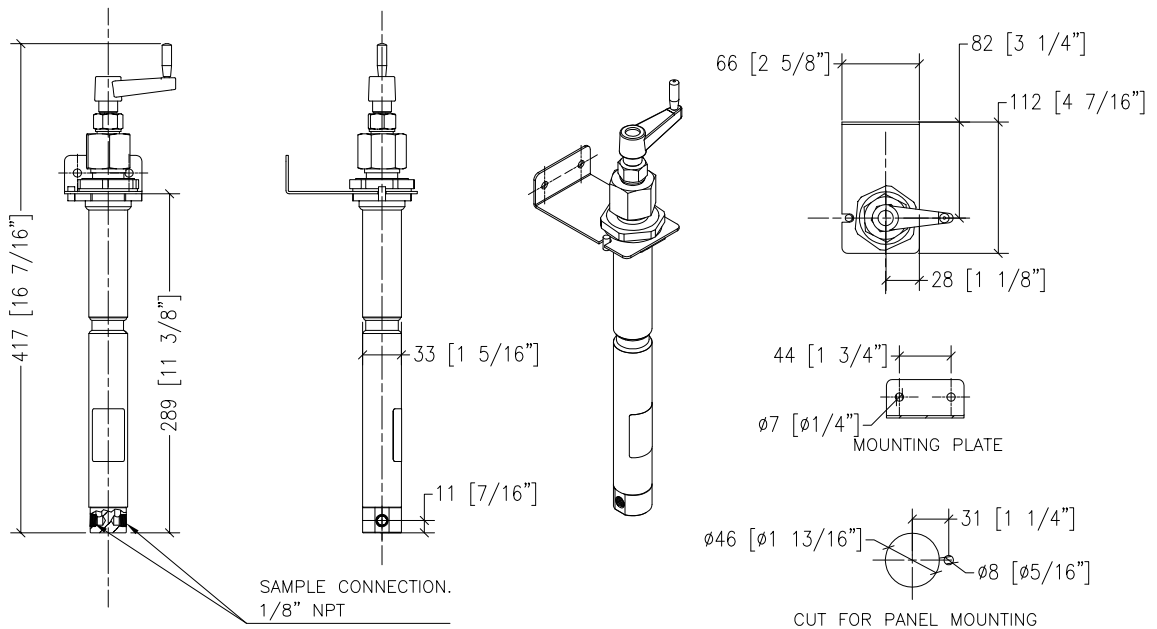
ORDERING INFORMATION

Model: HPRV	Name: High Pressure reducer valve
-----------------------	---

SPARE PARTS

Part #	Name
PK-HPRV	HPRV Packing

DIMENSIONS



Units: mm [Inches in brackets]
 Due to continuous improvements, Manvia reserves the right to change the design and specifications without notice