

1 2 3 4 5 6 7 8

A

B

C

D

E

F

A

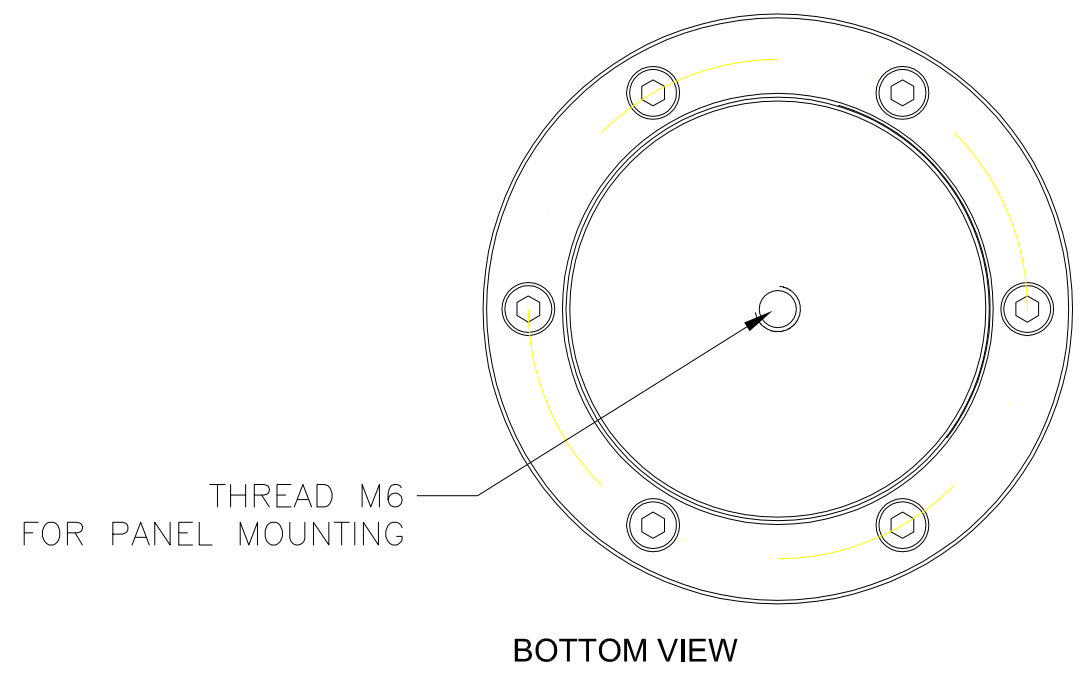
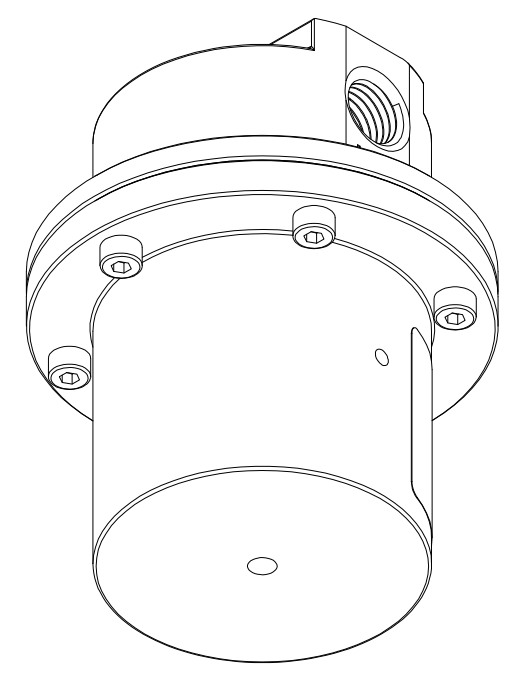
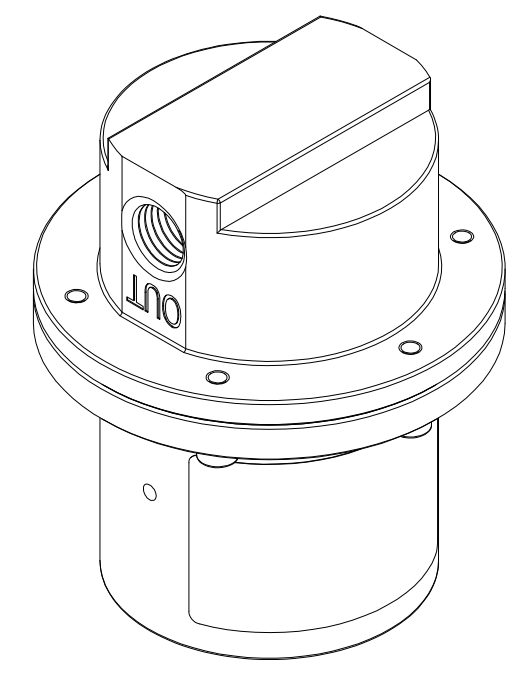
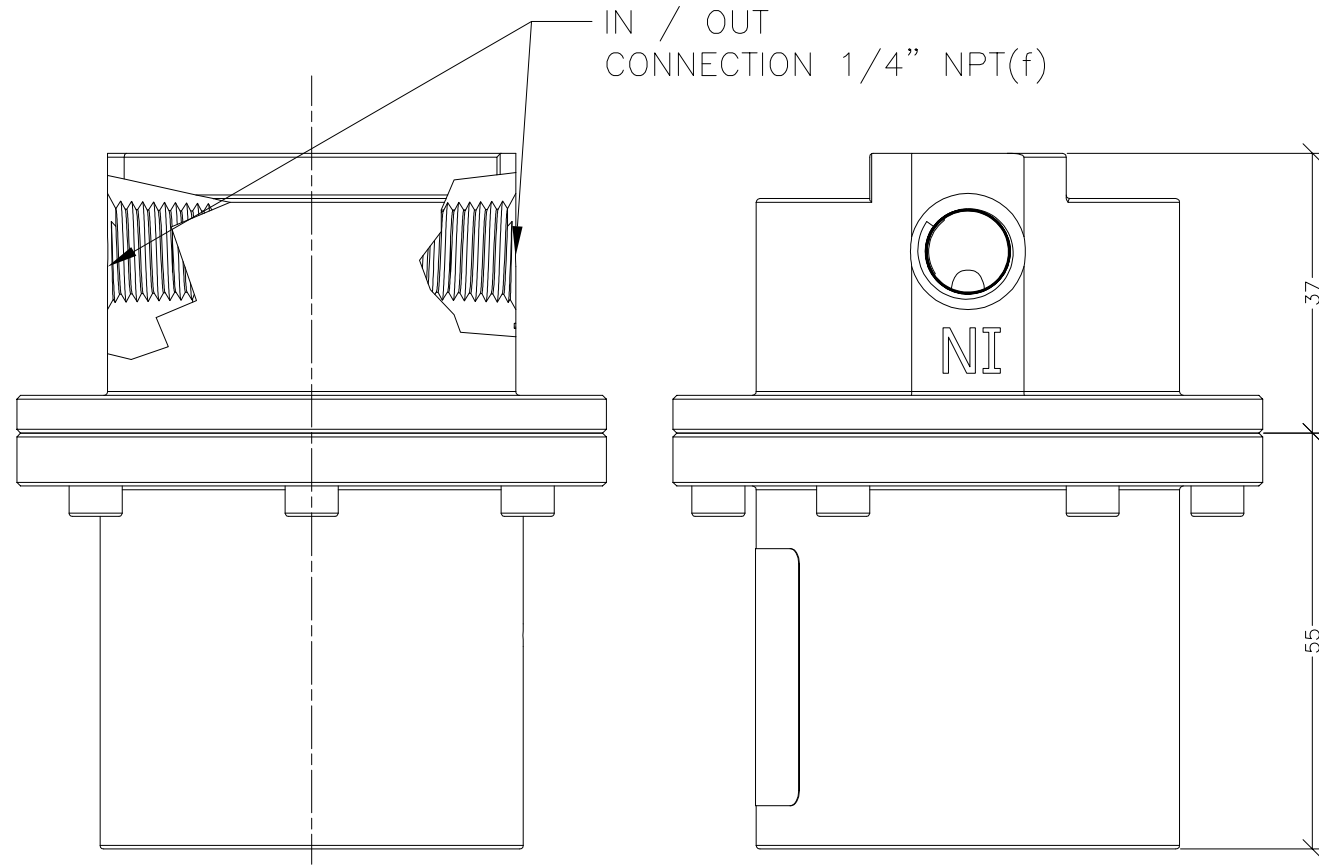
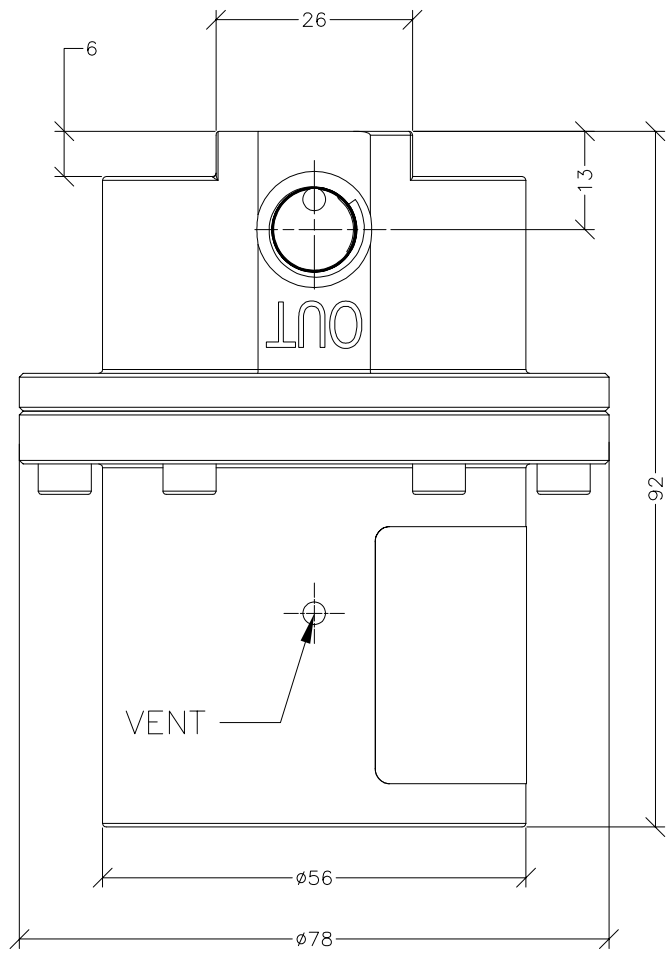
B

C

D

E

F



CLIENT:	--	CONTRACTOR	manvia a member of JCT GROUP	
DRAWING N°:	DW-BPRr01	ENGINEERING SUPERVISION		

REV.	FECHA	MOTIVO. ESTADO DE LA REVISION	Dibujado	Revisado	Aprobado	
1	14/07/2022	FORMAT CHANGES	DVC	IFA	IFA	FOR INFORMATION <input type="checkbox"/>
0	07/07/2020	INITIAL ISSUE	DVC	IFA	IFA	FOR APPROVAL <input type="checkbox"/>
						FOR CONSTRUCTION <input type="checkbox"/>
						AS BUILT <input type="checkbox"/>

PROYECT:	SWAS Equipment		ORIGINAL EDITION	FORMAT	SCALE
TITLE	BPR Dimensional drawings		DRAW	A3	1/1
			CHECKED		
			APPROVED		
			SHEET N°		SHEET
			1		1

1 2 3 4 5 6 7 8