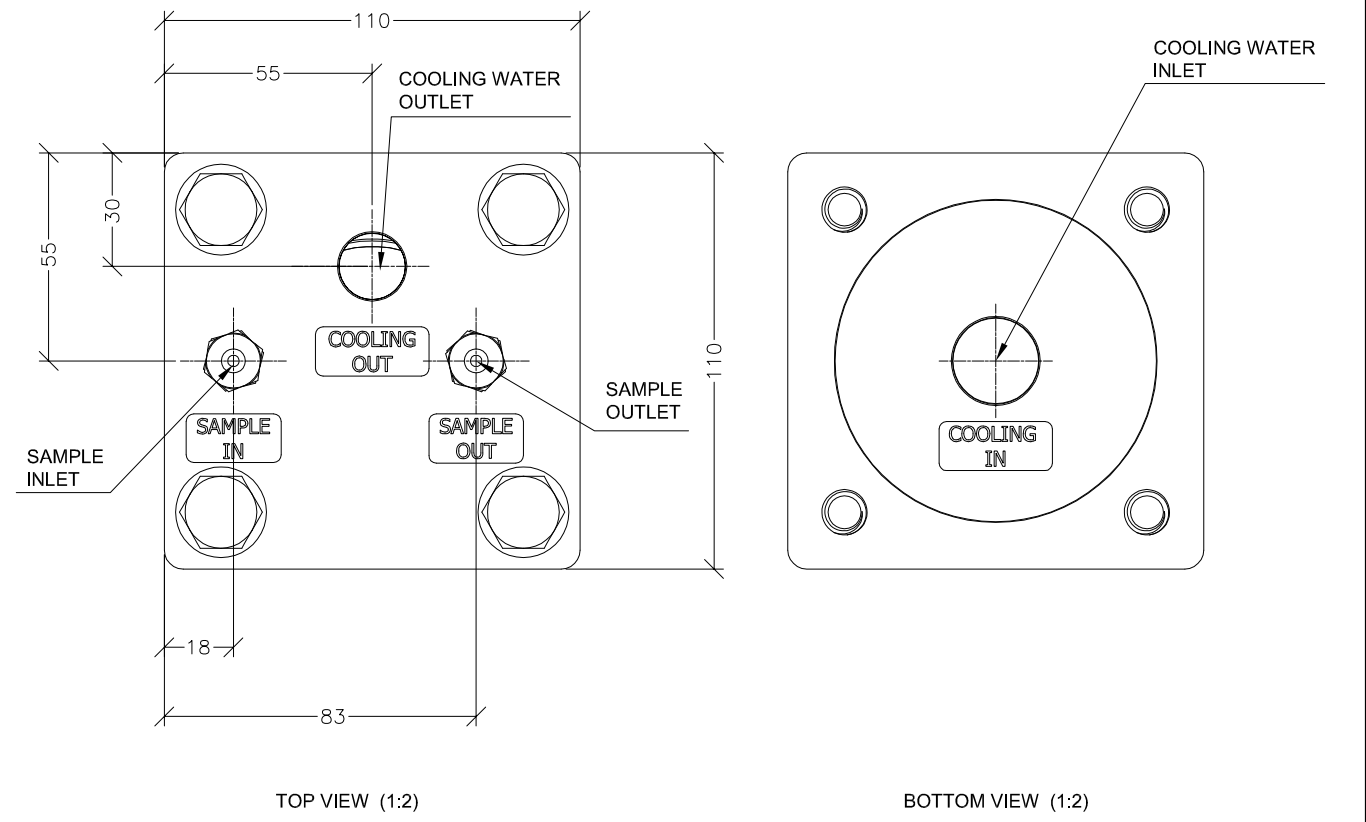
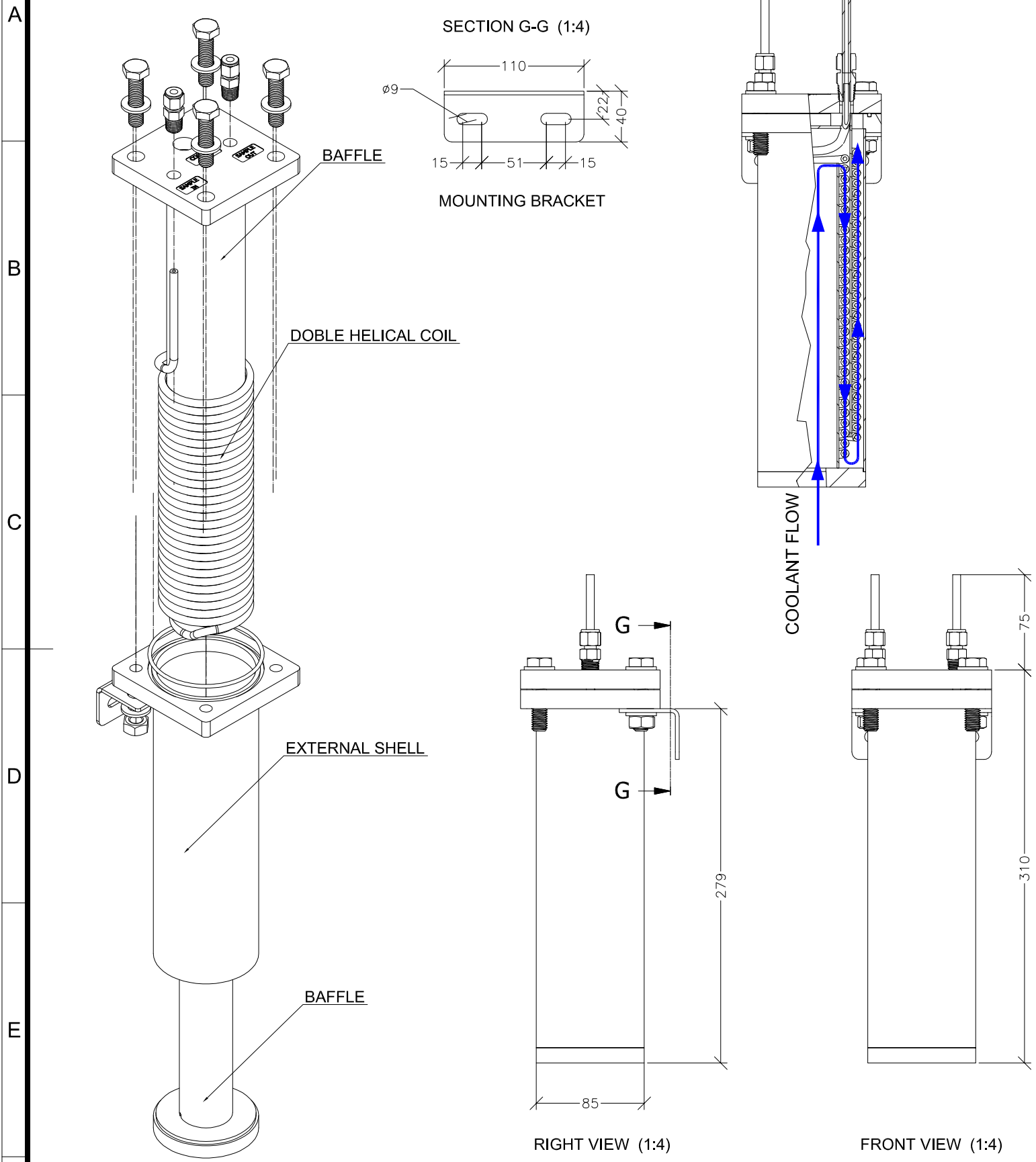


COOLER SC-2



SC-2 FEATURES	SC-2-B-10-K	SC-2-B-10-L
SHELL MATERIAL	SS304	SS316
SHELL DESIGN	30 barg@200°C	
TUBE SIZE/MATERIAL	1/4"OD X 0,049" / SS316-316L	
TUBE DESIGN	245 barg@540°C	
COOLING AREA	0,22 m <sup>2</sup>	

COOLER SC-2 CONNECTIONS	
CONNECTION	TYPE
SAMPLE INLET	1/4" OD
SAMPLE OUTLET	1/4" OD
COOLING WATER INLET	3/4" NPT(f)
COOLING WATER OUTLET	1/2" NPT(f)

CLIENT:	--	CONTRACTOR	<b>manvia</b> a member of <b>JCT GROUP</b>
DRAWING N°:	DW-SC-2r01	ENGINEERING SUPERVISION	

REV.	DATE	DESCRIPTION	DRAW	CHECKED	APPROVAL
1	14/07/2022	FORMAT CHANGES	DVC	AGD	JMDG
0	03/07/2020	INITIAL ISSUE	DVC	AGD	JMDG

PROYECT:	--	ORIGINAL EDITION	FORMAT	SCALE
		DRAW	A3	1/4
		CHECKED		
		APPROVED		
TITLE	SC-2. GENERAL DIMENSIONS		SHEET N°	SHEET
			1	1