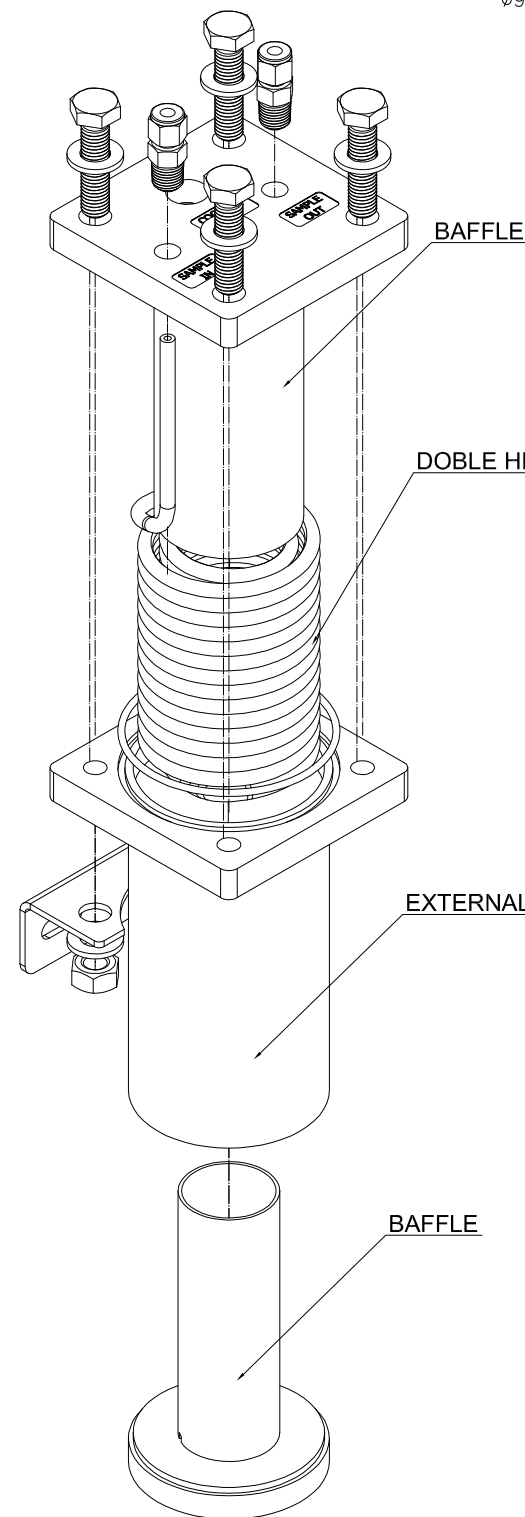
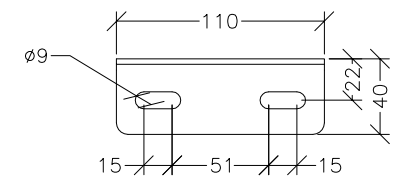


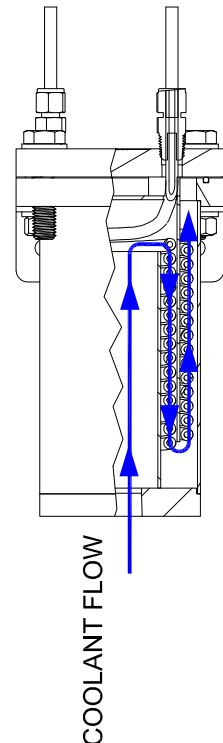
COOLER SC-1



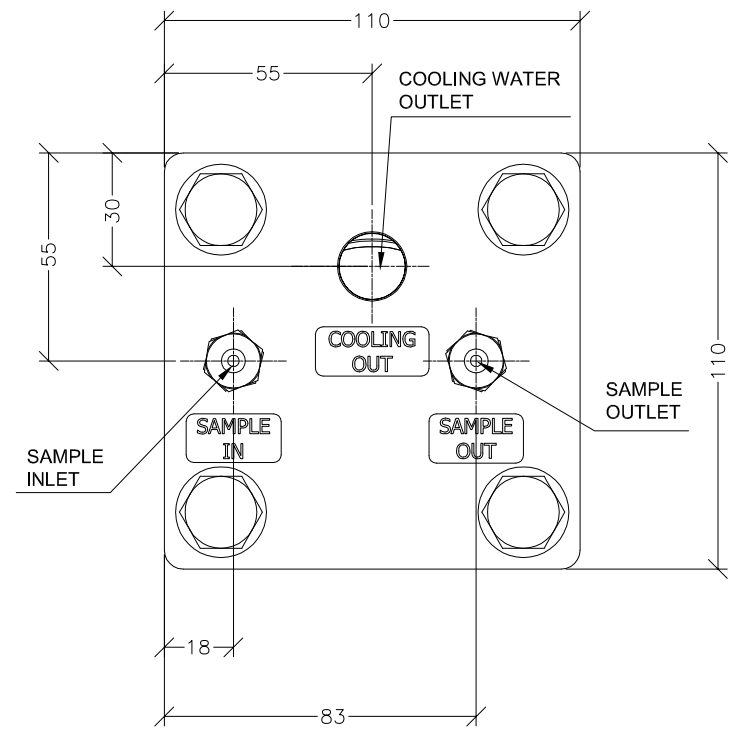
SECTION G-G (1:4)



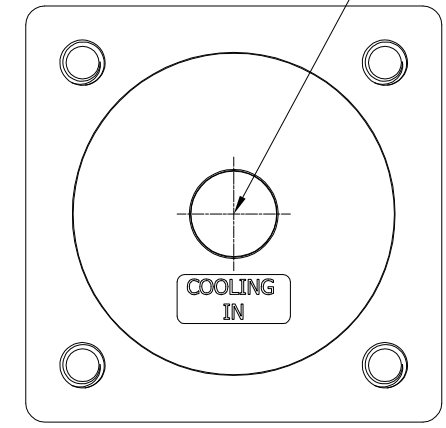
MOUNTING BRACKET



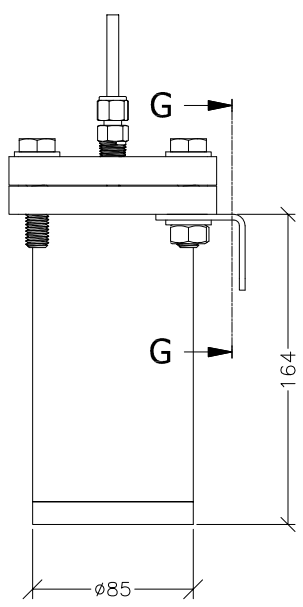
COOLANT FLOW



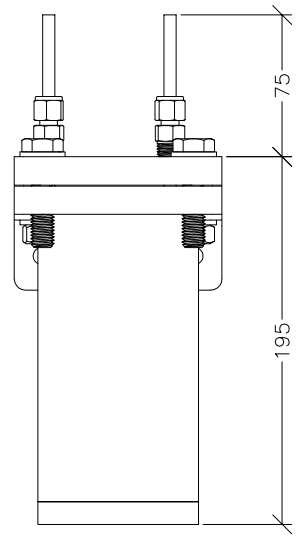
TOP VIEW (1:2)



BOTTOM VIEW (1:2)



RIGHT VIEW (1:4)



FRONT VIEW (1:4)

SC-1 FEATURES	SC-1-B-10-K	SC-1-B-10-L
SHELL MATERIAL	SS304	SS316
SHELL DESIGN	30 barg@200°C	
TUBE SIZE/MATERIAL	1/4"OD X 0,049" / SS316-316L	
TUBE DESIGN	245 barg@540°C	
COOLING AREA	0,11 m ²	
COOLER SC-1 CONNECTIONS		
CONNECTION	TYPE	
SAMPLE INLET	1/4" OD	
SAMPLE OUTLET	1/4" OD	
COOLING WATER INLET	3/4" NPT(f)	
COOLING WATER OUTLET	1/2" NPT(f)	
CLIENT:	CONTRACTOR manvia a member of JCT GROUP	
DRAWING N°:	ENGINEERING SUPERVISION	
PROYECT:	---	
TITLE	SC-1. GENERAL DIMENSIONS	

REV.	DATE	DESCRIPTION	DRAWN	CHECKED	APPROVAL
1	12/07/2022	FORMAT CHANGES	DVC	AGD	JMDG
0	03/07/2020	EMISION INICIAL	DVC	AGD	JMDG

FOR INFORMATION	<input type="checkbox"/>	ORIGINAL EDITION	FORMAT	SCALE
FOR APPROVAL	<input type="checkbox"/>	DRAW	A3	1/4
FOR CONSTRUCTION	<input type="checkbox"/>	CHECKED		
AS BUILT	<input type="checkbox"/>	APPROVED		
		SHEET N°		SHEET
		1		1