



DESCRIPTION

The cooler consists of a stainless steel coil, through which the sample flows, and a stainless steel body, through which cooling water flows in the opposite direction.

FEATURES

- Compact design with double helicoidal coil
- Very close approach temperatures in sample with the cooling water entry.
- Coil in one piece to ensure low maintenance (no joints).
- Easy maintenance: Coils can be cleaned in-place.
- Others material, please consult.

SPECIFICATIONS

Model:	SC-4-F-10-K	SC-4-F-10-L
Colling area:	0,45 m ² (4,8 ft ²)	
Tube material / size:	316SS 3/8"OD x 0,065"	
Tube rating:	215bar(g)[3118 psi(g)] @ 540°C (1004 °F)	
Shell material	304 SS	316 SS
Shell rating:	30 bar (435 psi) @ 200°C (392°F)	
Weight:	12 Kg (26,45 lb)	
Optimal flow service:		
Single fase:	5000 cc/min	
Condensing heat transfer:	2000 cc/min	

*All coolers are supplied with bracket in SS304

*These references correspond to standard references, usually in stock. For other combinations, please consult.

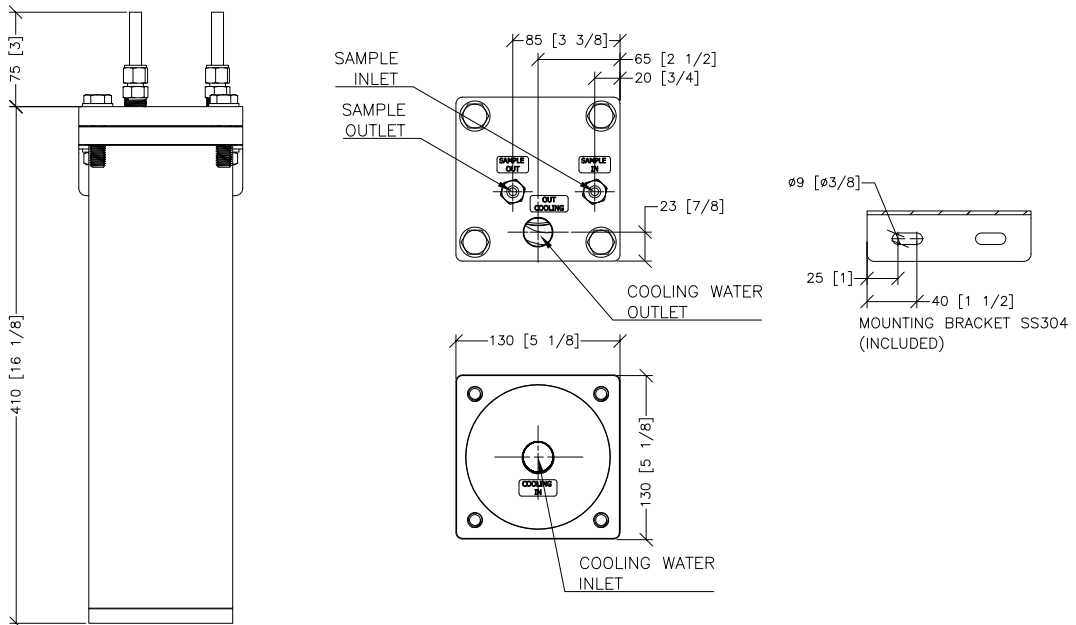
CONNECTIONS

Name	Size & Type
Sample Inlet	3/8" OD Tube
Sample Outlet	3/8" OD Tube
Cooling water inlet	3/4" NPT(f)
Cooling water outlet	3/4" NPT(f)

SPARE PARTS

Name	Part#
Cover "O" ring for SC-3 / SC-4	CL30

DIMENSIONS



Units: mm [Inches in brackets]

Due to continuous improvements, Manvia reserves the right to change the design and specifications without notice