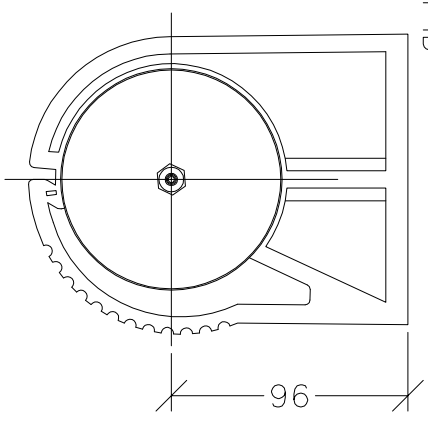
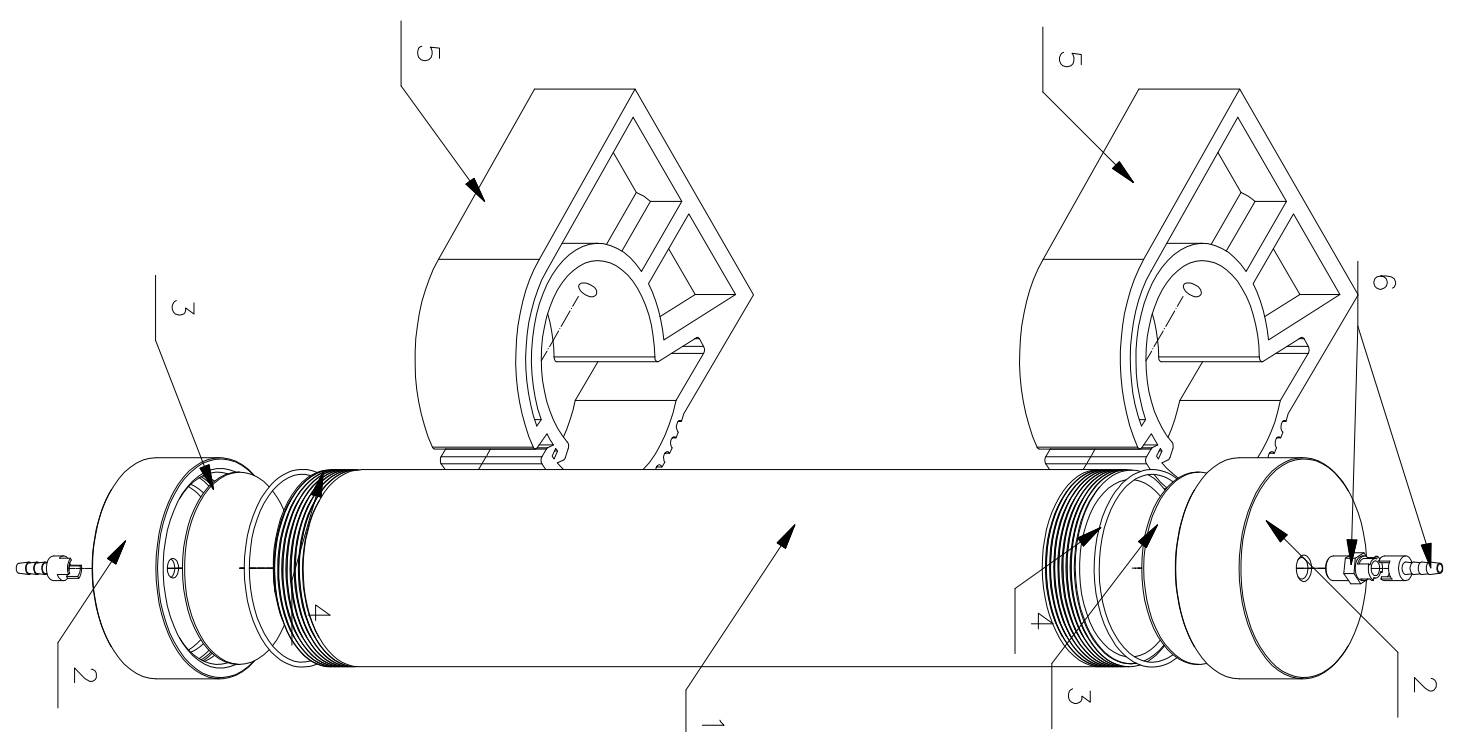
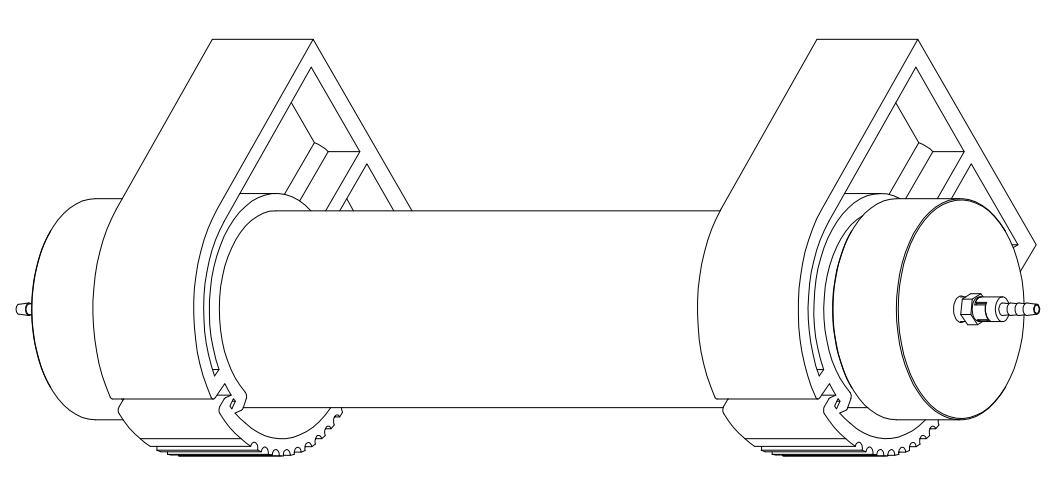


BILL OF MATERIALS

ID	REF	DESCRIPTION
1	13980-14257	POLYCARBONATE TUBE
2	14256	THREADED CAP
3	14343	FILTER DISC
4	14345	"O" Ring
5	14259	Clamp
6	11208-11209	Quick Connector(1/8 NTP(m) - 4mm ID TUBE)

CAPACITY 1600cc



REV.	DATE	DESCRIPTION	D.V.C.	I.F.A.	I.F.A.	DRAW	CHECKED	APPROVAL
00	13/07/2022	FORMATCHANGES	D.V.C.	I.F.A.	I.F.A.			
00	27/05/2019	INITIAL EMISSION	D.V.C.	I.F.A.	I.F.A.			

CLIENT:	--	CONTRACTOR	manvia a member of JCT GROUP
DRAWING N°:	DW-CR-1600r01	ENGINEERING SUPERVISION	
PROJECT:	SWAS Equipment	ORIGINAL EDITION	FORMAT
		DRAW	A3
		CHECKED	S/E
		APPROVED	
TITLE	CATIONIC RESIN COLUMN CR-1600 DRAWINGS	SHEET N°	1
		SHEET	1

FOR INFORMATION

FOR APPROVAL

FOR CONSTRUCTION

AS BUILT